

# X-CHANGE

design office



## FRAME

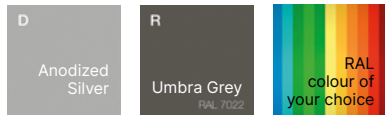
Frame. 101×101mm extruded aluminium tracks with quick-assembly 3-way elbow joint connectors.

Glazed wall panelling. Single or double acoustic glass panel, it can be height adjusted using patented levellers located in the bottom tracks.

Solid wall panelling. Double 18mm MFC panels finished with ABS edges. Fire tested Class 2. Acoustic fully upholstered internal panel available as an optional extra.

Solid wall frame. Triple slot metal studs for attaching panels and accessories. PVC gaskets ensure reliable sealing.

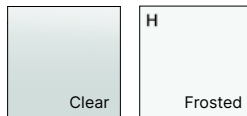
Finishes:



## GLAZED WALL PANELS

12.76mm thick acoustic laminated glass comprising two layers of glass bonded together using a PVB interlayer reducing vibrations.

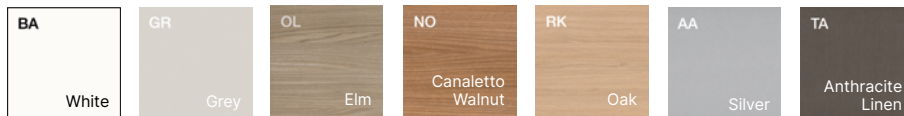
Finishes:



## SOLID MFC WALL PANELS

18mm melamine faced chipboard (MFC) finished with 1.5mm matching straight ABS impact resistant edges, easy to clean scratch-resistant anti-reflective melamine. Panel density: 670/730 kgs per cubic meter. Grain on MFC panels always runs vertically, floor to ceiling.

Finishes:



## SOLID VENEERED WALL PANELS

18mm veneered MDF, matt transparent semi-open pore varnished 0.6mm wood veneer, 1mm wood veneer edging, 0.5mm radiused corners. Panel density 720/790 kgs per cubic meter. Grain on veneered panels always runs vertically, floor to ceiling.

Finishes:



**SOLID LACQUERED MFC WALL PANELS**

18mm matt lacquered melamine faced chipboard (MFC) finished with 1.5mm matching straight ABS impact resistant edges. Panel density: 670/730 kgs per cubic meter.

Finishes:



Production lead time: 5 weeks excluding delivery time. Apart from the shown finish options any RAL color can be made to order.

**ACOUSTIC FULLY UPHOLSTERED WALL PANELS**

Available for interiors only. 3mm MDF panel fully upholstered in a Trevira CS fabric in several colour options, paired with a layer of acoustic foam. Perimeter frame made from aluminium profiles.

Finishes:





**3X2M ACOUSTIC BOOTH**

Tracks available in:  
 - anodized aluminium (standard)  
 - powder coated in anthracite  
 - powder coated in a RAL colour of your choice

8mm melamine faced chipboard (MFC) ceiling panel

LED ceiling lighting

Internal ceiling available in:  
 - melamine  
 - acoustic upholstery

Switch post for acoustic upholstered walls

Internal solid panels available in:  
 - melamine  
 - lacquered melamine  
 - wood veneer  
 - acoustic upholstery

External solid panels available in:  
 - melamine  
 - lacquered melamine  
 - wood veneer

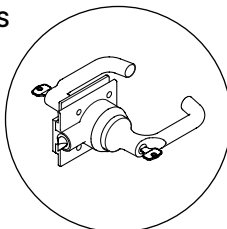
Single or double glazed hinged framed door

HCS or AGB handle complete with lock

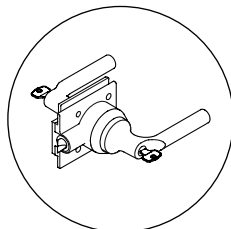
Single or double acoustic glass panels

**HANDLES**

**HCS**

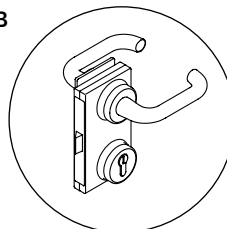


Paris

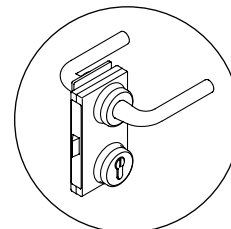


Bonn

**AGB**



Paris



Bonn

## IMPORTANT INFORMATION

- All 1×1m booths must have at least one solid wall panel.
- In 1×1m booths ventilation control is always located on the ceiling.
- Acoustic upholstery available for internal panels only.
- The optional power module is available for solid wall panels only, should the internal panels be upholstered a switch post is then also required.



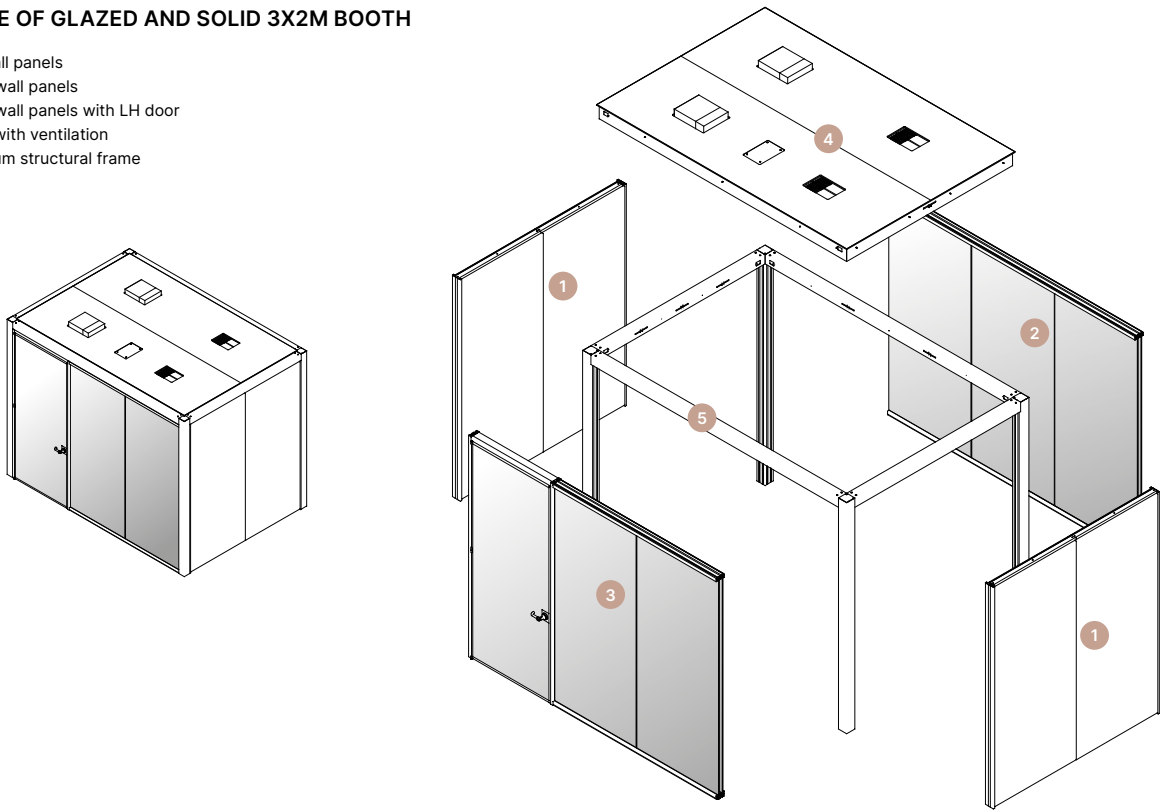
- All 2×1m, 2×2m, 3×2m, 3×3m, 3×4m booths must have at least one solid wall panel.
- In all booths other than 1×1m, ventilation control is achieved using a display located on a solid wall panel; should the booth have just one solid wall panel and that panel be upholstered, an upholstered switch post is then also required.
- Acoustic upholstery available for internal panels only.
- The optional power module is available for solid wall panels only, should the internal panels be upholstered a switch post is then also required.



EXPLODED VIEWS

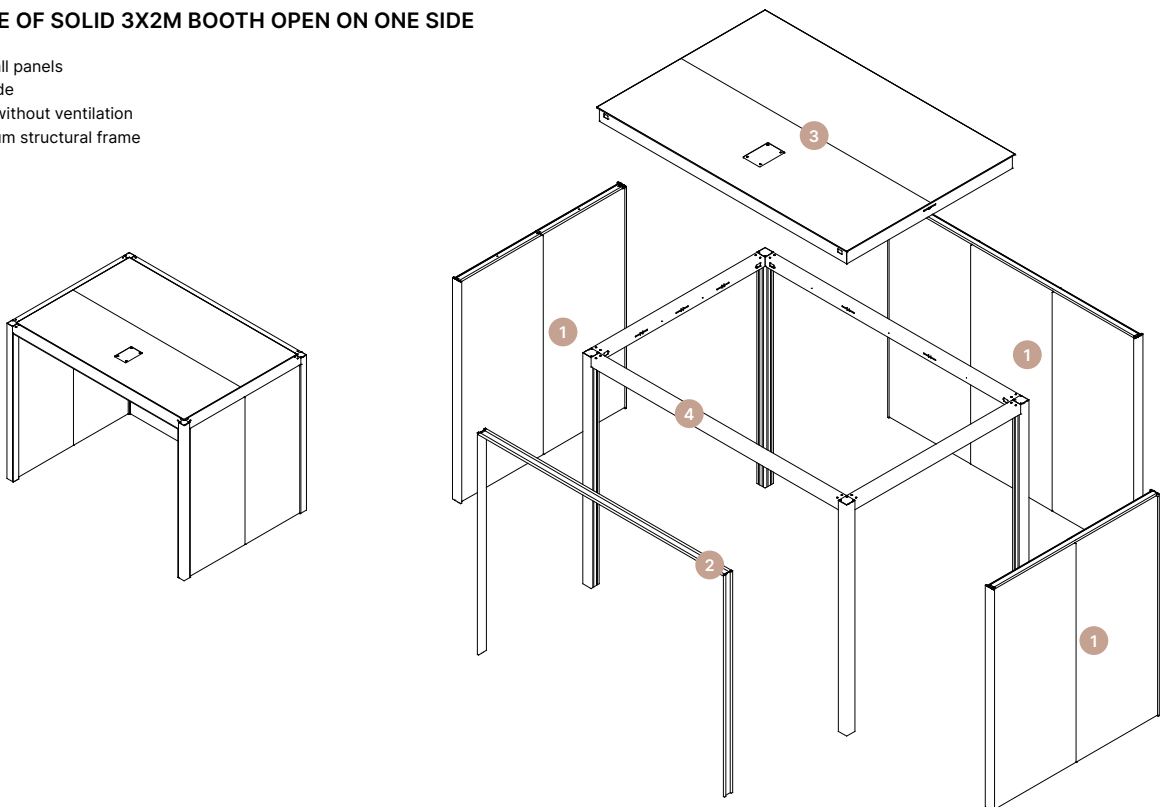
EXAMPLE OF GLAZED AND SOLID 3X2M BOOTH

- 1) Solid wall panels
- 2) Glazed wall panels
- 3) Glazed wall panels with LH door
- 4) Ceiling with ventilation
- 5) Aluminium structural frame



EXAMPLE OF SOLID 3X2M BOOTH OPEN ON ONE SIDE

- 1) Solid wall panels
- 2) Open side
- 3) Ceiling without ventilation
- 4) Aluminium structural frame

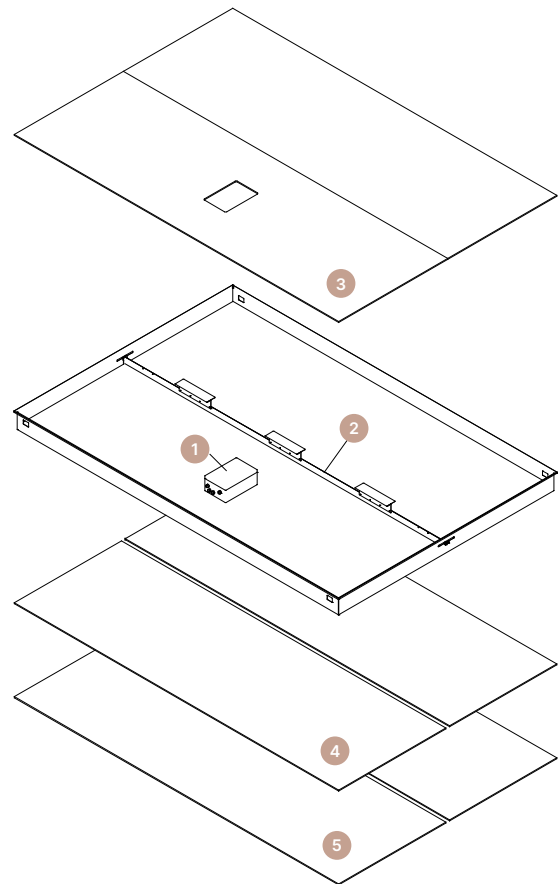


## CEILING WITHOUT VENTILATION

- 1) IP65 switchboard
- 2) Structural beam with LED strip
- 3) 8mm melamine faced chipboard (MFC) external panel
- 4) Sound absorbing material
- 5) Internal ceiling panel in melamine or full acoustic upholstery

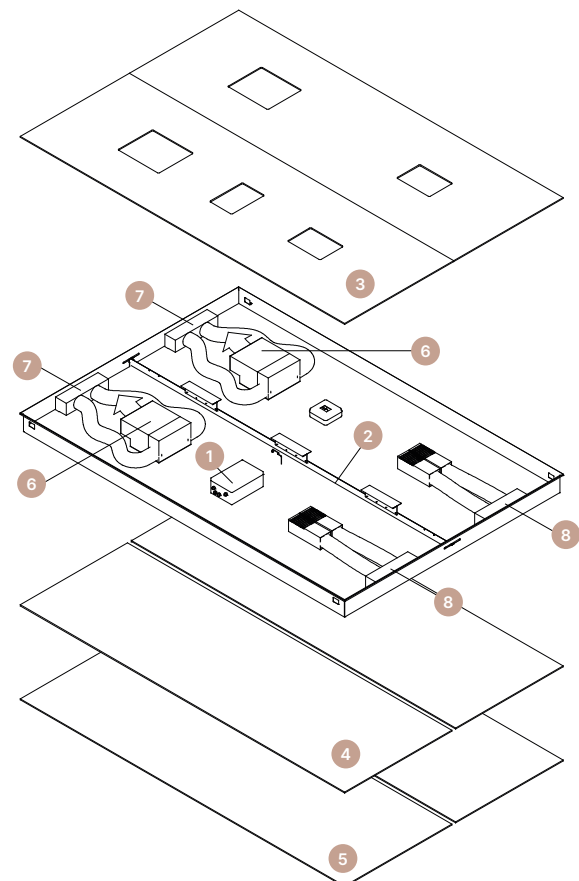
### PLEASE NOTE

For closed booths we recommend to add ventilation



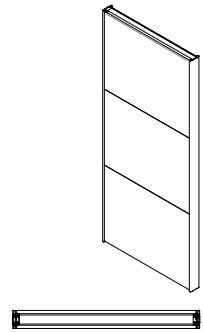
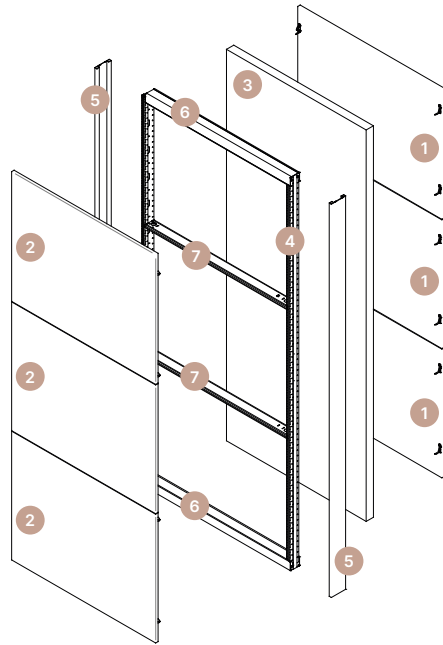
## CEILING WITH VENTILATION

- 1) IP65 switchboard
- 2) Structural beam with LED strip
- 3) 8mm melamine faced chipboard (MFC) external panel
- 4) Sound absorbing material
- 5) Internal ceiling panel in melamine or full acoustic upholstery
- 6) Ventilation unit
- 7) Air extraction
- 8) Air supply



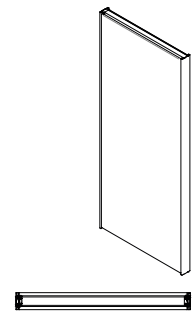
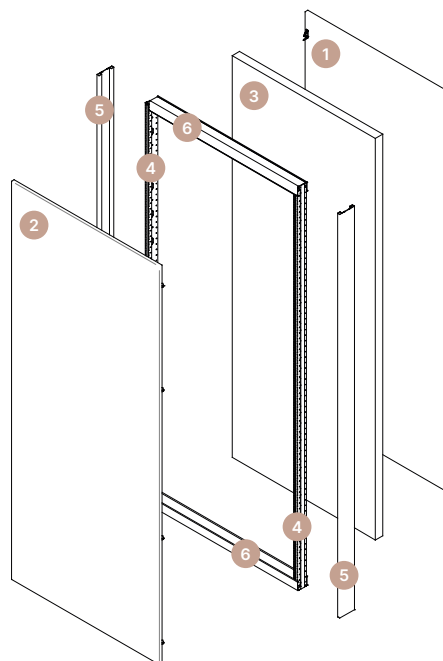
**TILED SOLID WALL PANEL**

- 1) Melamine external panels
- 2) Internal panels in melamine or full acoustic upholstery
- 3) Sound absorbing material
- 4) Vertical stud
- 5) Aluminium cover
- 6) Head/floor channel
- 7) Horizontal beam



**SOLID WALL PANEL**

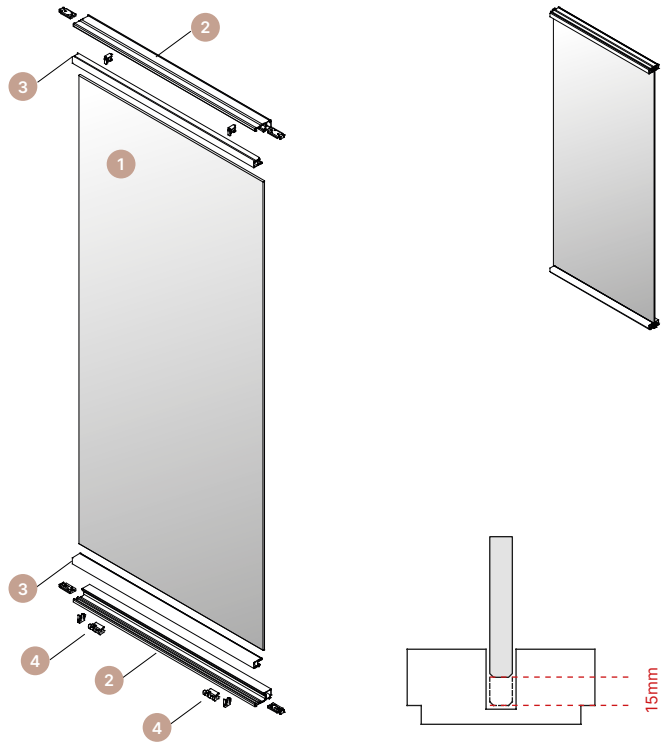
- 1) Melamine external panels
- 2) Internal panels in melamine or full acoustic upholstery
- 3) Sound absorbing material
- 4) Vertical stud
- 5) Aluminium cover
- 6) Head/floor channel





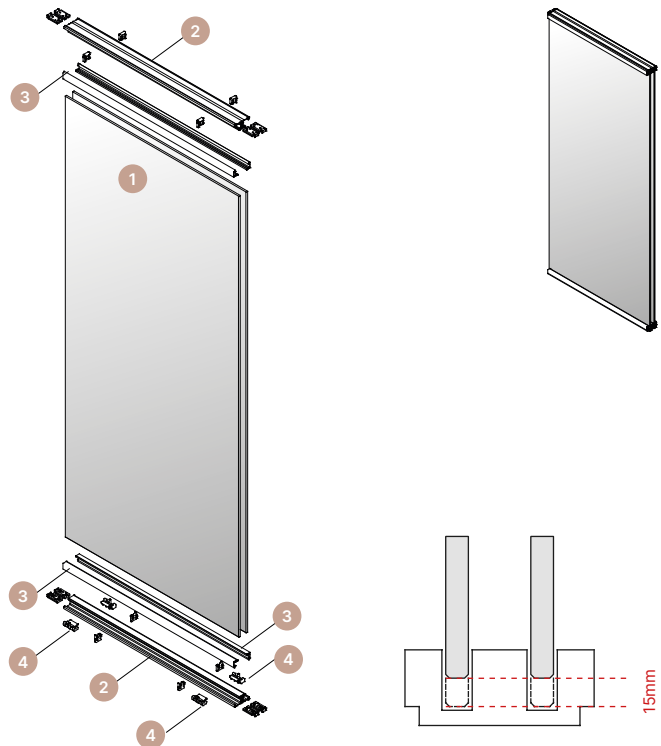
## SINGLE GLAZED PANEL

- 1) 6+6.2mm acoustic clear glass panel
- 2) Aluminium track
- 3) Aluminium track cap
- 4) Height adjustable patented levellers



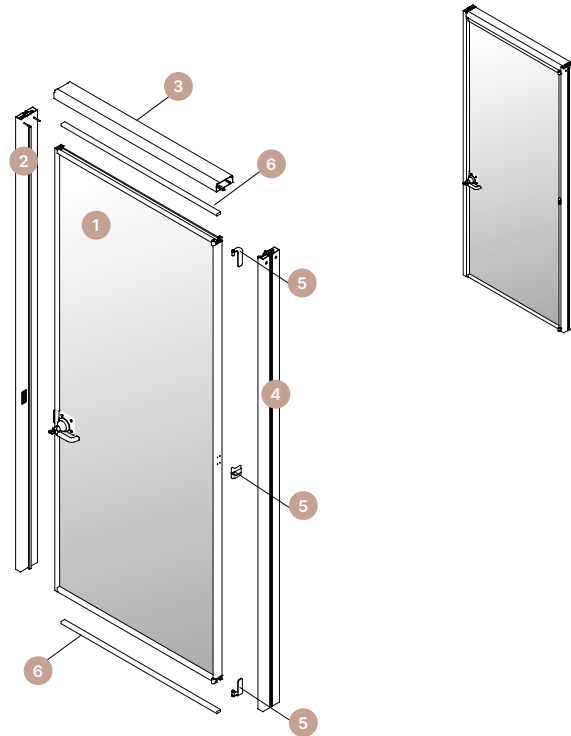
## DOUBLE GLAZED PANEL

- 1) 6+6.2mm acoustic clear glass panel
- 2) Aluminium track
- 3) Aluminium track cap
- 4) Height adjustable patented levellers



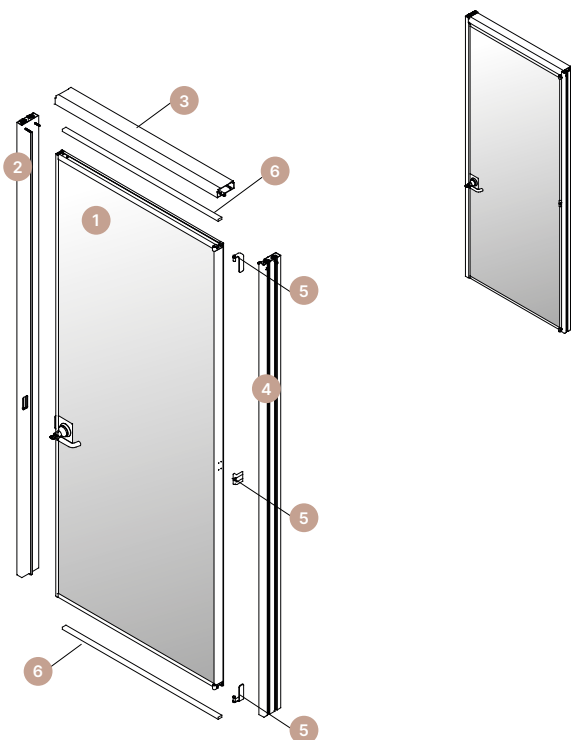
## SINGLE GLAZED FRAMED DOOR

- 1) Framed single glass panel
- 2) Aluminium lock stile (door frame)
- 3) Aluminium head transom (door frame)
- 4) Aluminium hinge stile (door frame)
- 5) Hinges
- 6) Closes automatically gaps between door and floor/ceiling



## DOUBLE GLAZED FRAMED DOOR

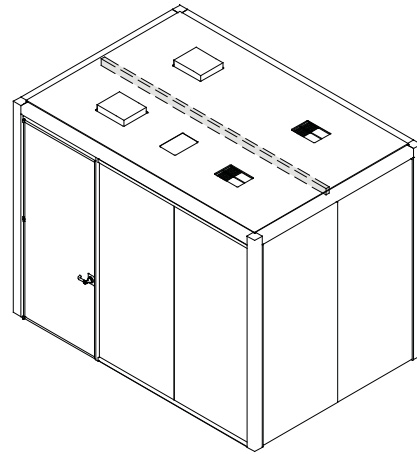
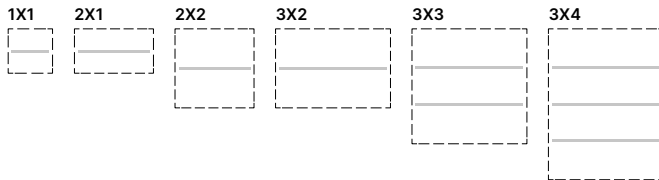
- 1) Framed double glass panel
- 2) Aluminium lock stile (door frame)
- 3) Aluminium head transom (door frame)
- 4) Aluminium hinge stile (door frame)
- 5) Hinges
- 6) Closes automatically gaps between door and floor/ceiling





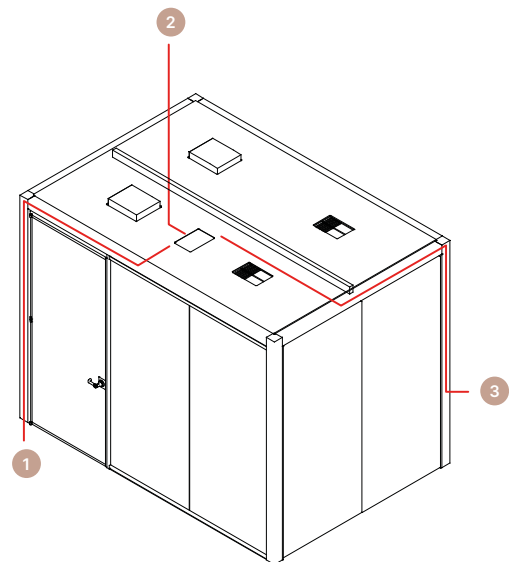
**LIGHTING**

LED lighting with glare-free prismatic diffuser - 4000K  
 PIR motion/occupancy sensor as well as dimmer complete with two remote controls are supplied as standard.



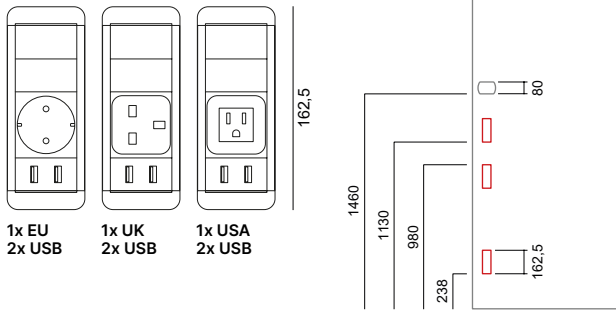
**OPTIONS FOR WIRING**

1. Option 1 - wiring running through aluminium frame from raised floor
2. Option 2 - wiring running from suspended ceiling
3. Option 3 - wiring running through aluminium frame with exit above floor level

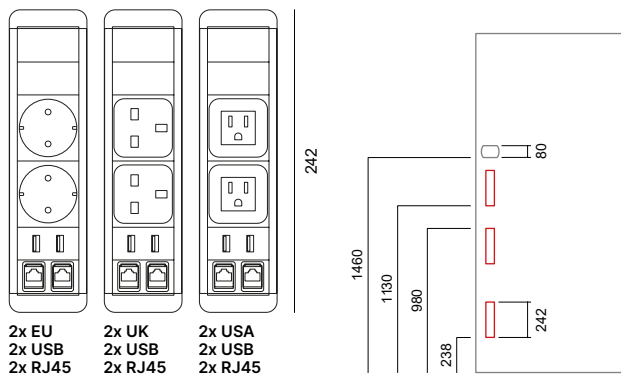


**POWER/DATA MODULES**

**SMALL**

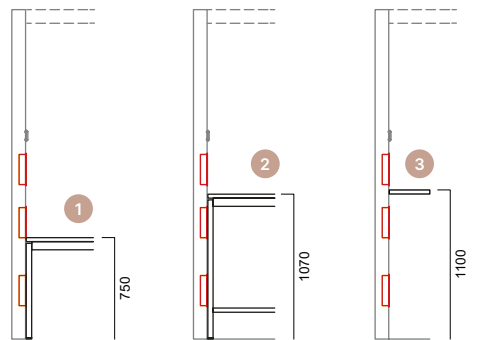


**LARGE**



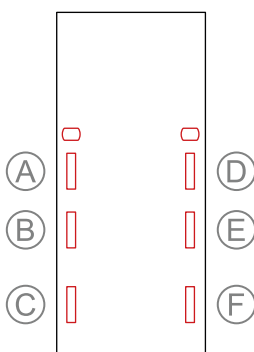
**EXAMPLES OF CONFIGURATIONS**

- 1) 750mm high desk
- 2) 1070mm high poseur table
- 3) Shelf 1100mm from floor level

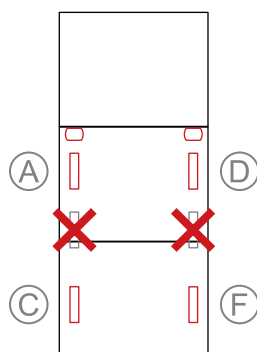


**OPTIONAL POSITIONS FOR POWER/DATA MODULES**

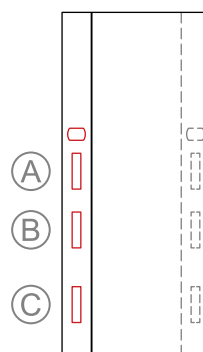
Factory-made cutout, please specify the desired position in your order.



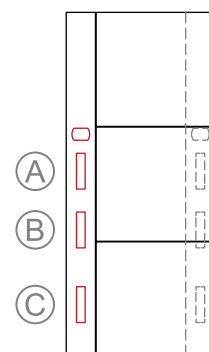
Melamine/veneer/lacquered solid wall panel



Melamine/veneer/lacquered tiled solid wall panel



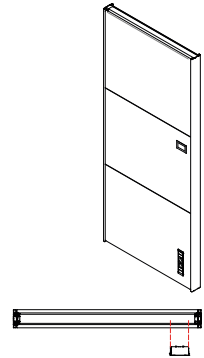
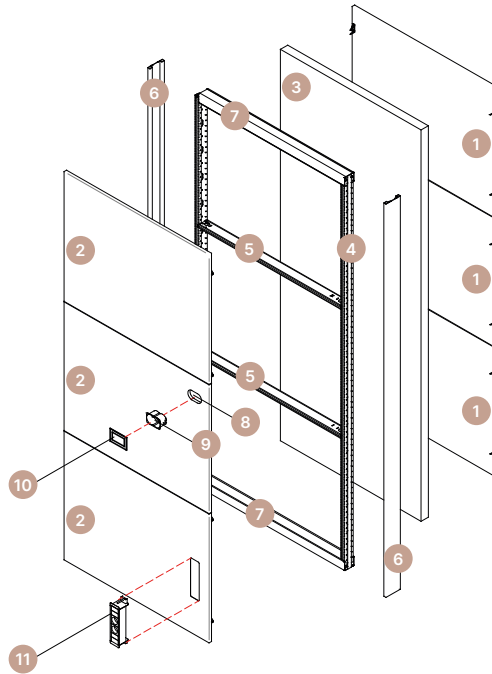
Upholstered solid wall panel with RH/LH switch post



Upholstered tiled solid wall panel with RH/LH switch post

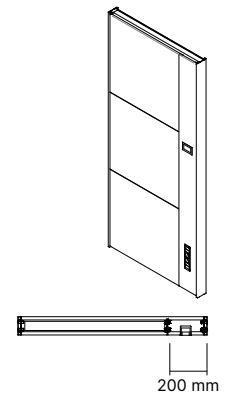
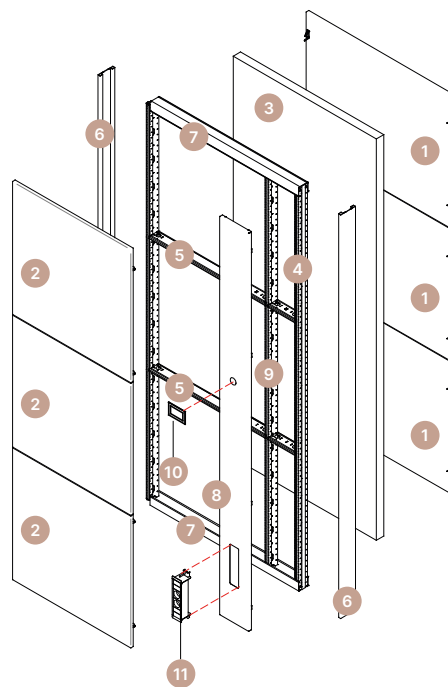
**TILED SOLID WALL PANEL WITH VENTILATION**

- 1) Melamine external panel
- 2) Melamine internal panel
- 3) Sound absorbing material
- 4) Vertical stud
- 5) Horizontal beam
- 6) Aluminium cover
- 7) Head/floor channel
- 8) Factory made cutout for ventilation control
- 9) Flush mounted box
- 10) Ventilation control
- 11) Power/data module (optional)



**TILED UPHOLSTERED SOLID WALL PANEL WITH SWITCH POST AND VENTILATION**

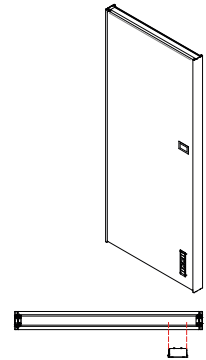
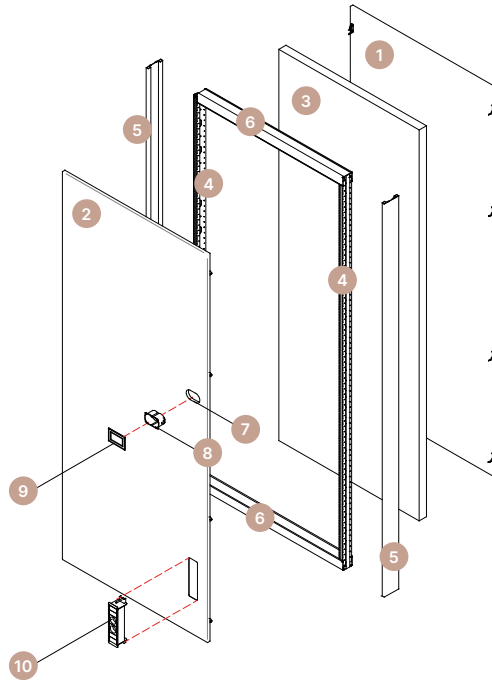
- 1) Melamine external panel
- 2) Acoustic fully upholstered internal panel
- 3) Sound absorbing material
- 4) Vertical stud
- 5) Horizontal beam
- 6) Aluminium cover
- 7) Head/floor channel
- 8) Acoustic fully upholstered switch post
- 9) Vertical stud for switch post
- 10) Ventilation control
- 11) Power/data module (optional)





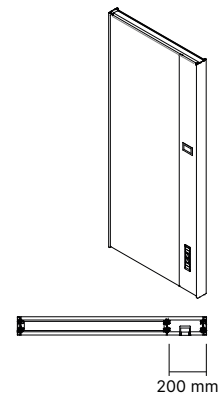
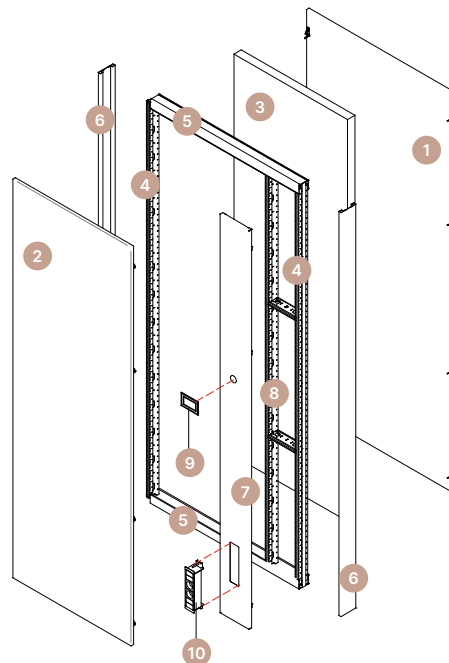
**SOLID WALL PANEL WITH VENTILATION**

- 1) Melamine external panel
- 2) Melamine internal panel
- 3) Sound absorbing material
- 4) Vertical stud
- 5) Aluminium cover
- 6) Head/floor channel
- 7) Factory made cutout for ventilation control
- 8) Flush mounted box
- 9) Ventilation control
- 10) Power/data module (optional)



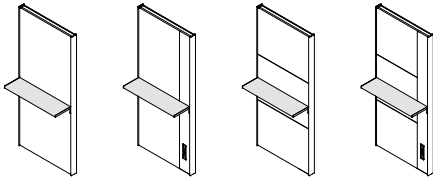
**UPHOLSTERED SOLID WALL PANEL WITH SWITCH POST AND VENTILATION**

- 1) Melamine external panel
- 2) Acoustic fully upholstered internal panel
- 3) Sound absorbing material
- 4) Vertical stud
- 5) Head/floor channel
- 6) Aluminium cover
- 7) Acoustic fully upholstered switch post
- 8) Vertical stud for switch post
- 9) Ventilation control
- 10) Power/data module (optional)

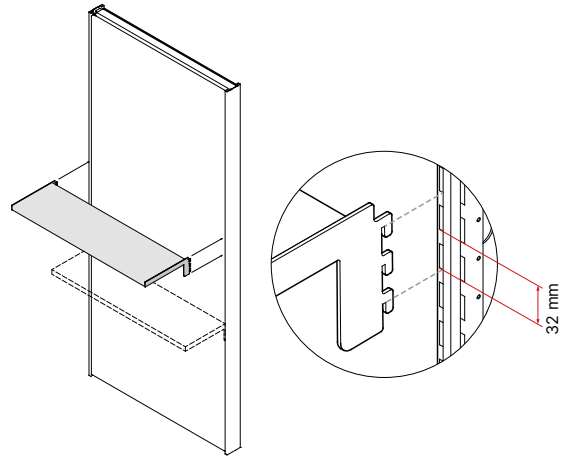


**SHELF FOR SOLID WALL PANELS**

Melamine, veneered, lacquered melamine shelf. To be used with solid melamine or upholstered wall panels. Height adjustable in increments of 32mm.

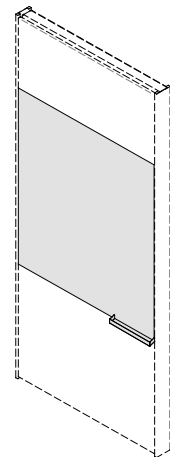


Recommended height from floor level: 1100mm



**WRITABLE WHITEBOARD**

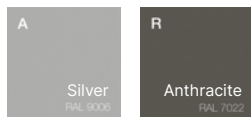
Writable whiteboard factory-fitted on melamine, veneered or lacquered melamine panels. Glossy polyester white surface. Metal tray with four board pens and eraser available as an optional extra.



**SEATING**

Inner frame made from beech plywood. Seat and back in polyurethane foam. 20x20mm powder coated 2mm steel tube frame on polyethylene glides.

Legs:



**UNI EN ISO 11957:2009**

Acoustics - Determination of sound insulation performance of cabins. Laboratory and in situ measurements.

**UNI EN ISO 717-1:2013**

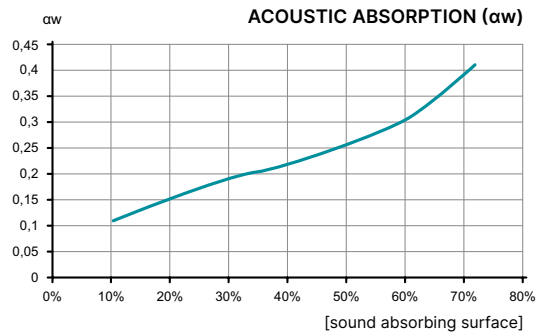
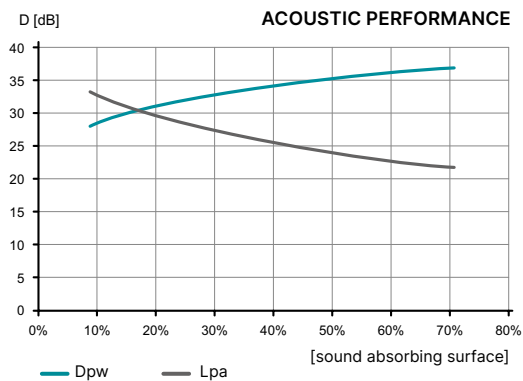
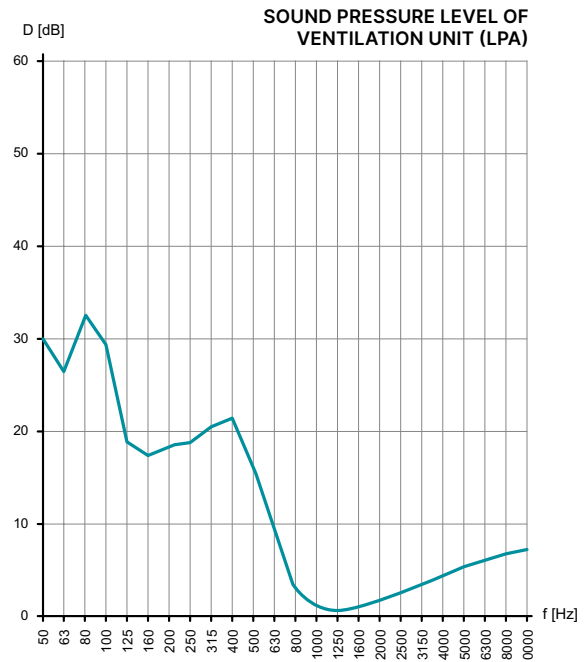
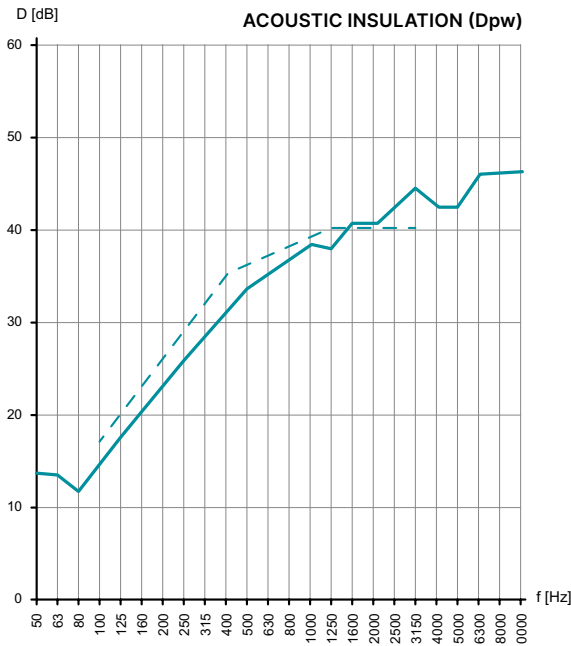
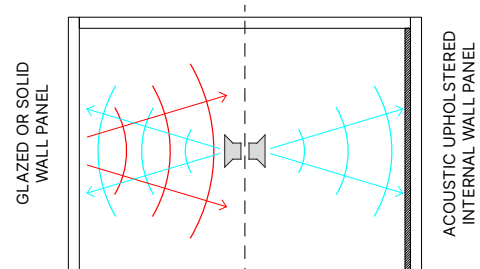
Acoustics - Rating of sound insulation in buildings and of building elements. Part 1: airborne sound insulation.

**UNI EN ISO 3741:2010**

Acoustics - Determination of sound power levels and sound energy levels of noise sources using sound pressure. Precision methods for reverberation test rooms.

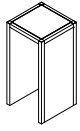
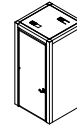
**UNI EN ISO 354:2003**

Acoustics - Measurement of sound absorption in a reverberation room.



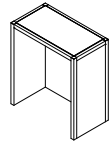
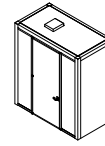
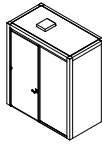
**1X1**

Internal size: 1034 × 1034 × 2290  
 External size: 1236 × 1236 × 2440



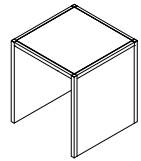
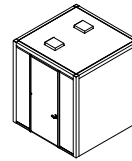
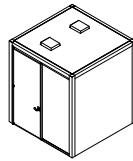
**2X1**

Internal size: 2034 × 1034 × 2290  
 External size: 2236 × 1236 × 2440



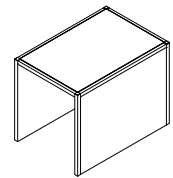
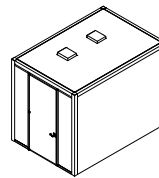
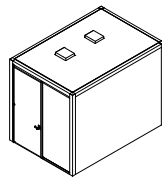
**2X2**

Internal size: 2034 × 2034 × 2290  
 External size: 2236 × 2236 × 2440



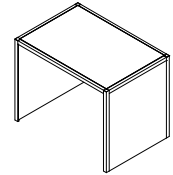
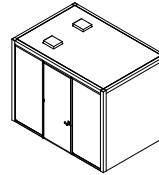
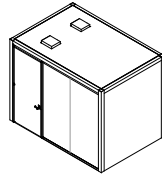
**2X3**

Internal size: 2034 × 3034 × 2290  
 External size: 2236 × 3236 × 2440



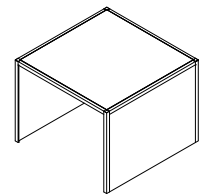
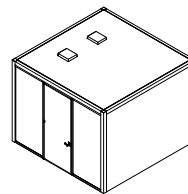
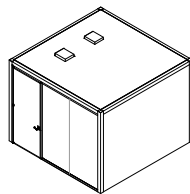
**3X2**

Internal size: 3034 × 2034 × 2290  
 External size: 3236 × 2236 × 2440



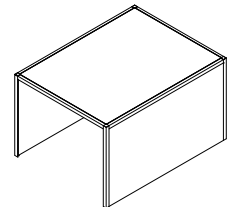
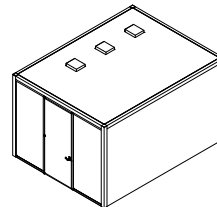
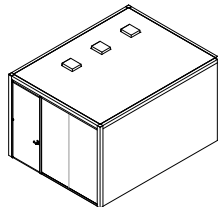
**3X3**

Internal size: 3034 × 3034 × 2290  
 External size: 3236 × 3236 × 2440



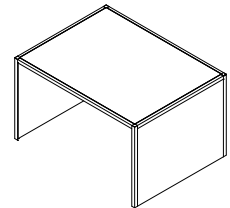
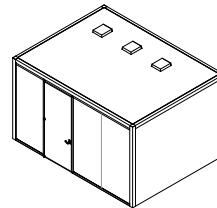
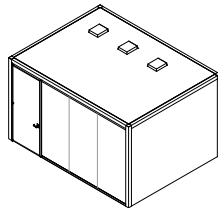
**3X4**

Internal size: 3034 × 4034 × 2290  
 External size: 3236 × 4236 × 2440



**4X3**

Internal size: 4034 × 3034 × 2290  
 External size: 4236 × 3236 × 2440





RECYCLING

### MATERIALS AND RECYCLABILITY

Panels used on X-CHANGE range are exclusively 100% made by recycled wood and respect low formaldehyde emission (CATAS certification Quality Award CARB). Resins used on panels and melamine paper are SVHC substances free (reported on ECHA list update to 12/01/2017)



### CERTIFICATES

Constantly receptive to market requirements, Quadrifoglio Sistemi d'Arredo pay special attention on quality and safety contents in order to provide high products and services. The Company has reached certifications UNI EN ISO 9001/2015, UNI EN ISO 14001/2015 and UNI EN ISO 45001/2018 to confirm his policy. Our products are certified and ensured by FSC™ and ECOLOGICAL PANEL.

COMPANY WITH  
MANAGEMENT SYSTEM  
CERTIFIED BY DNV  
ISO 9001 • ISO 14001  
ISO 45001



The mark of  
responsible forestry



### GREEN ENERGY

The Company had installed the photovoltaic system with 4.500 solar panels in a 7.350 m<sup>2</sup> surface that covers almost entirely the factory. The photovoltaic is able to produce 1Mw of a quiet green energy, that does not harm the environment and is waste-free. With his high production capacity the photovoltaic allows us to reduce emissions in the atmosphere of all those polluting substances and to those that contribute to the greenhouse effects. Consequently, such measures make us save every year 180 tonne of petrol oil, 440 tonne of CO<sub>2</sub>, 514kg of sulphur dioxide, 448 kg of nitrogen oxide and 23kg of dust.



### TRANSPORT

Packaging is reduced in order to decrease volumes. Goods collections are responsibly managed and organised with the aim of optimise transports, reducing atmosphere emissions.