

CELSIUS

CHAIR WITH UPHOLSTERED SEAT



Code OCELSV02

DESCRIPTION

Chair with wood shell, tubular 4-leg chrome frame; upholstered seat pad

SPECIFICATIONS

STRUCTURE

Shell in natural beech plywood 10mm, lacquered in White, Umbra Grey, Flame Red and Ocher
Upholstered seat

PADDING

Seat: thickness 15 mm, density 40 Kg/m³

LEGS / FRAME / BASE

Tubular 4-leg chrome frame 16mm

UPHOLSTERY

Categories: B01-B03-C01-C05-D02-D03-D04-D06-P01-E01-E02-E03-E04-I01-I02
(see "FINISHING COLLECTION" folder)

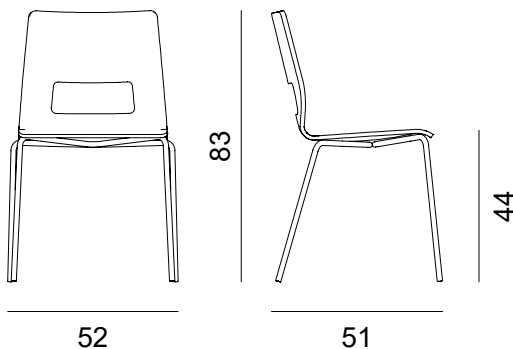
SIZE

Dimensions in millimeters

chair
L 520 H 830 D 510

seat
L 450 H 440 D 370

backrest
L 420 H 390



WEIGHT

Net weight a chair: 6,5 Kg
Gross weight a chair: 7,5 Kg

PACKAGING

2 x box
L 640 H 600 D 1015

VOLUME

M3 box: 0,38

CELSIUS

WOODEN SHELL



Code OCELSV03

DESCRIPTION

Chair with wood shell, tubular 4-leg chrome frame

SPECIFICATIONS

STRUCTURE

Shell in natural beech plywood 10mm, lacquered in White, Umbra Grey, Flame Red and Ocher

LEGS / FRAME / BASE

Tubular 4-leg chrome frame 16mm

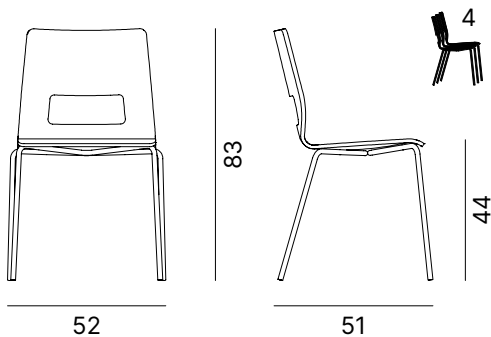
SIZE

Dimensions in millimeters

chair
L 520 H 830 D 510

seat
L 450 H 440 D 370

backrest
L 420 H 390



WEIGHT

Net weight a chair: 6 Kg
Gross weight a chair: 7 Kg

PACKAGING

2 x box
L 640 H 600 P 1015

VOLUME

M3 box: 0,38

CELSIUS

UPHOLSTERED CHAIR



Code OCELSV11

DESCRIPTION

Upholstered chair with wood shell, tubular 4-leg chrome frame

SPECIFICATIONS

STRUCTURE

Upholstered natural beech plywood shell 10mm, lacquered in White, Umbra Grey, Flame Red and Ocher

PADDING

Seat: thickness 15 mm, density 30 Kg/m³

Backrest: thickness 15 mm, density 30 kg/cm³

LEGS / FRAME / BASE

Tubular 4-leg chrome frame 16mm

UPHOLSTERY

Categories: B01-B03-C01-C05-D02-D03-D04-D06-P01-E01-E02-E03-E04-I01-I02
(see "FINISHING COLLECTION" folder)

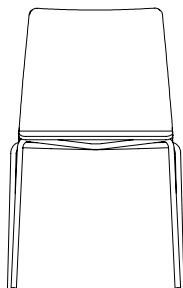
SIZE

Dimensions in millimeters

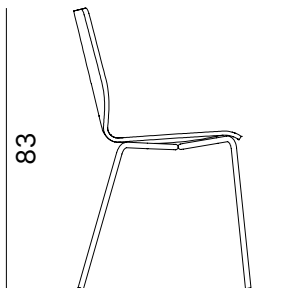
chair
L 520 H 830 D 510

seat
L 450 H 440 D 370

backrest
L 420 H 390



52



83

44

51

WEIGHT

Net weight a chair: 6,5 Kg

Gross weight a chair: 7,5 Kg

PACKAGING

2 x box

L 640 H 600 D 1015

VOLUME

M3 box: 0,38

CELSIUS

STOOL

Code OCELSS01



DESCRIPTION

Stool with wood shell, tubular 4-leg chrome frame

SPECIFICATIONS

STRUCTURE

Shell in natural beech plywood 10mm, lacquered in White, Umbra Grey, Flame Red and Ocher

LEGS / FRAME / BASE

Tubular 4-leg chrome frame 16mm

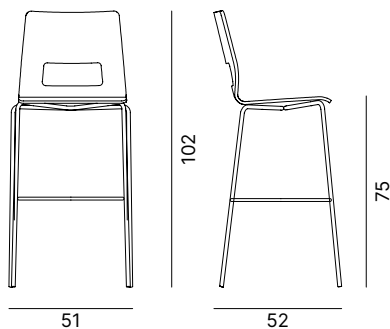
SIZE

Dimensions in millimeters

chair
L 450 H 1020 D 520

seat
L 450 H 750 D 370

backrest
L 350 H 320



WEIGHT

Net weight a chair: 7 Kg
Gross weight a chair: 8,5 Kg

PACKAGING

2 x box
L 620 H 510 D 1120

VOLUME

M3 box: 0,35

CELSIUS

STOOL

Code OCELSS02



DESCRIPTION

Stool with wood shell, tubular 4-leg chrome frame

SPECIFICATIONS

STRUCTURE

Shell in natural beech plywood 10mm, lacquered in White, Umbra Grey, Flame Red and Ocher

LEGS / FRAME / BASE

Tubular 4-leg chrome frame 16mm

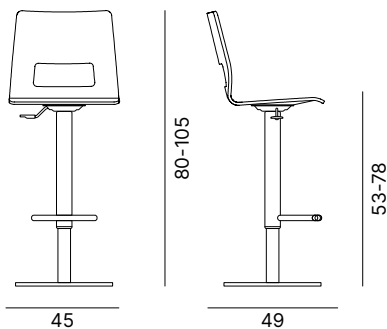
SIZE

Dimensions in millimeters

chair
L 450 H 1020 D 520

seat
L 450 H 530-780 D 370

backrest
L 350 H 320



WEIGHT

Net weight a chair: 13 Kg
Gross weight a chair: 14,5 Kg

PACKAGING

1 x box

VOLUME

M3 box: 0,35