

AGIO



Code OAGIOV01

DESCRIPTION
Waiting room chair

SPECIFICATIONS

STRUCTURE
Steel inner shell

PADDING
Injection molded polyurethane foam with varying thicknesses, density 60 Kg/m³

LEGS / FRAME / BASE
Chromed steel flat base or 4-spoke aluminum base

UPHOLSTERY
Categories: B01-B03-C01-C05-D02-D03-D04-D06-P01-E01-E02-E03-E04-I01-I02-M01-M02-M03
(see "FINISHING COLLECTION" folder)

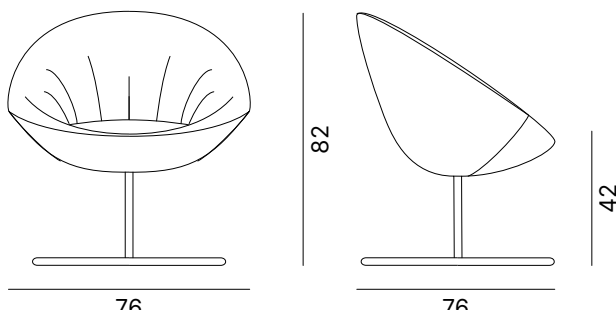
SIZE

Dimensions in millimeters

article
L 750 H 820 D 650

seat
L 490 H 420 D 470

backrest
H 420



WEIGHT
Net weight a chair: 11,6 Kg
Gross weight a chair: 14,5 Kg

PACKAGING
1 x box
L 770 H 770 D 850

VOLUME
M3 box: 0,5