



Carelli

Model:5820HR

Model:5820HR

Construction:

Plywood MDF Shaving board
Brown morthor board Pine wood

Seat : Elastic webbing+No zag spring

Back rest: Elastic webbing

Seat Cushion:

30KG/M3 polyurethane foam

Back Cushion:

22KG/M3+24KG/M3
polyurethane foam

Cushion removable:

Not available

Functionality:

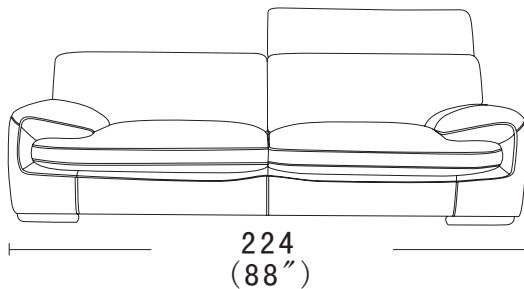
Not available

Sofa Legs:

Wooden legs 5cm

Feet Disassembly:

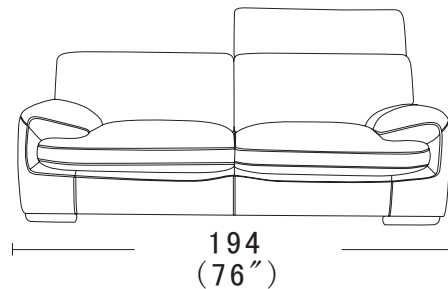
No



224
(88")

CBM : 1. 94m³

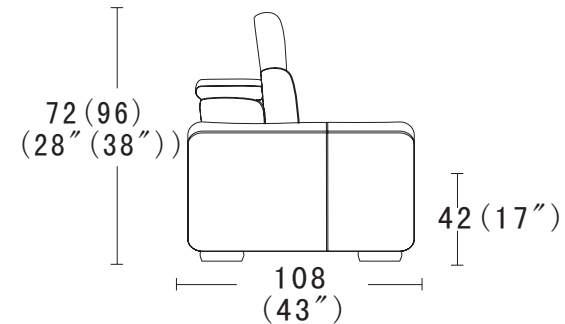
3P



194
(76")

CBM : 1. 69m³

2P



72 (96)
(28" (38"))

42 (17")

108
(43")

Profile